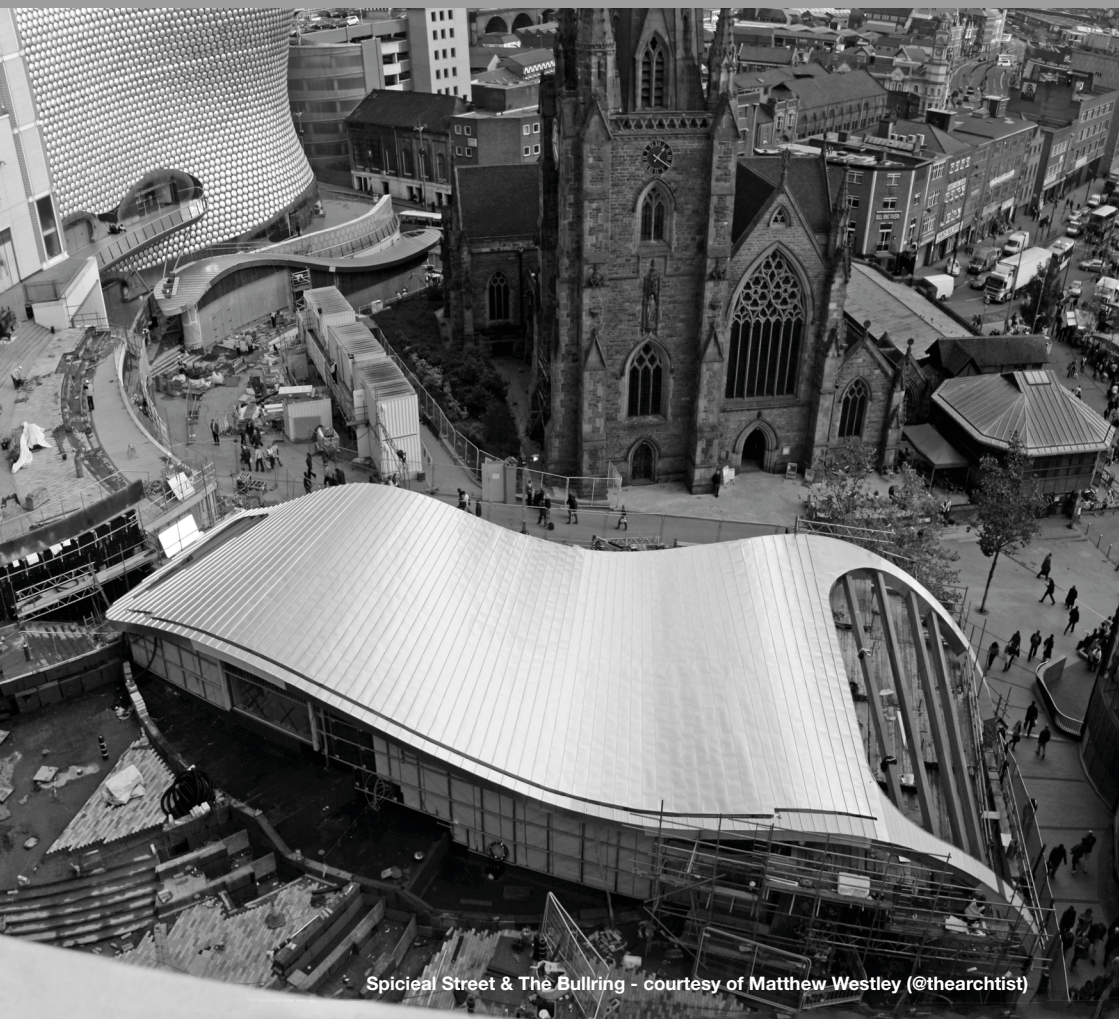


Roof and Facade
Design And Consultancy



Spiceal Street & The Bullring - courtesy of Matthew Westley (@thearchtist)

Introduction

The roof and façade of any modern building can be a highly engineered combination of products: Metal, wood, glass and stone are common place on today's buildings.

All these materials need to be designed with fire, thermal, moisture and structural performance in mind, whilst providing a habitable environment.

Most of today's buildings are prototypes and one-off's, so how does the client or envelope contractor know a design will be durable?

This is where knowledge and experience are key.



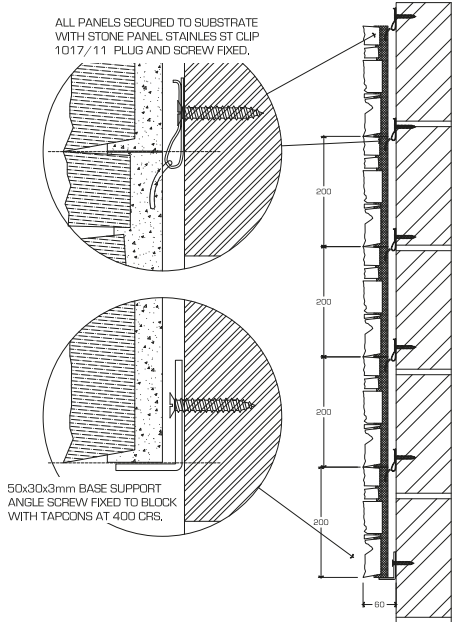
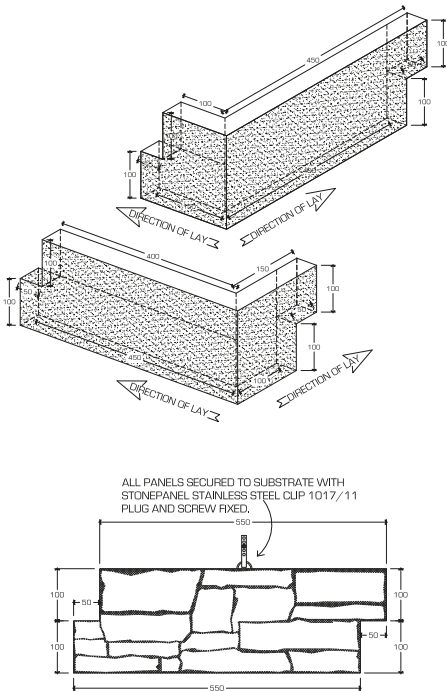
Cornbrook Manchester. Courtesy of Darc Studio & Tim Groom Architects



About Us

EN-VELOP Ltd was founded in 2009 by Joe Gobbin who has over 30 years' experience in the roofing and cladding industry - working for specialist sub-contractors and design houses. In 2009 he completed a Masters degree in façade engineering (Bath University in Partnership with CWCT), and is a Fellow of the Institute of Roofing.

EN-VELOP offers a draughting service under-pinned by Joe's qualifications and industry experience. With the façade of some buildings costing over 30% of the build the client places a lot of trust with the envelope contractor - and that contractor with their design draughting team.



Design

EN-VELOP Ltd offer a proactive draughting package for the whole building envelope underpinned by industry experience. We commonly work for specialist envelope subcontractors, system suppliers, main contractors and architects.

- Retail development & offices
- Infrastructure projects
- Low-rise residential buildings
- Supermarkets & superstores
- Schools & colleges
- Industrial parks
- Refurbishments



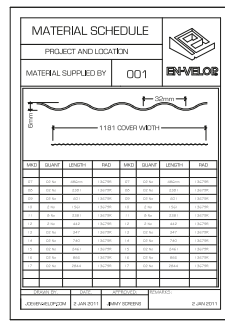
Forest of Dean Community Hospital. Courtesy of One Creative environments



We have a proactive attitude to our design service and recognise some clients will rely on us to resolve specifications and assist with the early concept design.

Other clients and project coordinators actively manage the design process and want us to focus on detail design, which we are happy to do.

We can provide full management throughout the design process including site attendance, on-line design meetings, raising RFI's, document and drawings control, recording variations and progress reports, providing a full service.



Once the scope and complexity of the design are understood, we can offer our services at a fixed cost or hourly rate.

to a full draughting package with design management on long duration multi-million pound projects, and can fit around your needs.

Our projects vary in size; from a few hours of design for indicative sketches

An example of some completed projects are as follows:

- Sizewell B Dry Store
- Atlas Works Birmingham
- Forest of Dean Hospital
- Media City
- Various Tesco & Sainsbury
- Stafford Riverside Retail
- Ayr Academy
- Louvre System
- Scottish National Arena
- DWP – Treforest

- Prater / Sir Robert McAlpine
- Speller Metcalfe
- Central Cladding Systems
- FK Roofing
- North Hants Roofing
- Coverstructure
- Curtis Moore
- Construction Specialities (UK)
- Blackdown Greenroofs
- Britannia Site Solutions



Design and Build - Home Office

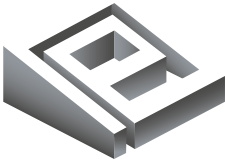
In early 2019 we broke ground and started work on a home office. This was a full design and build project; from the planning application to design and detailing through to construction – we did it all. It's only a small project but we're very proud of it. We moved into the home office in Sept 2021.



Contact Us

Joe Gobbin
M.Sc. FloR MSFE

m. +44 (0)7901 550321
e. joe@en-velop.com
w. www.en-velop.com



EN-VELOP LTD

Roof and Facade: Design and Consultancy

97 Ombersley Road Worcester WR3 7BT
En-velop Limited registered in England No 07048896.
Vat registration No 869 176276

